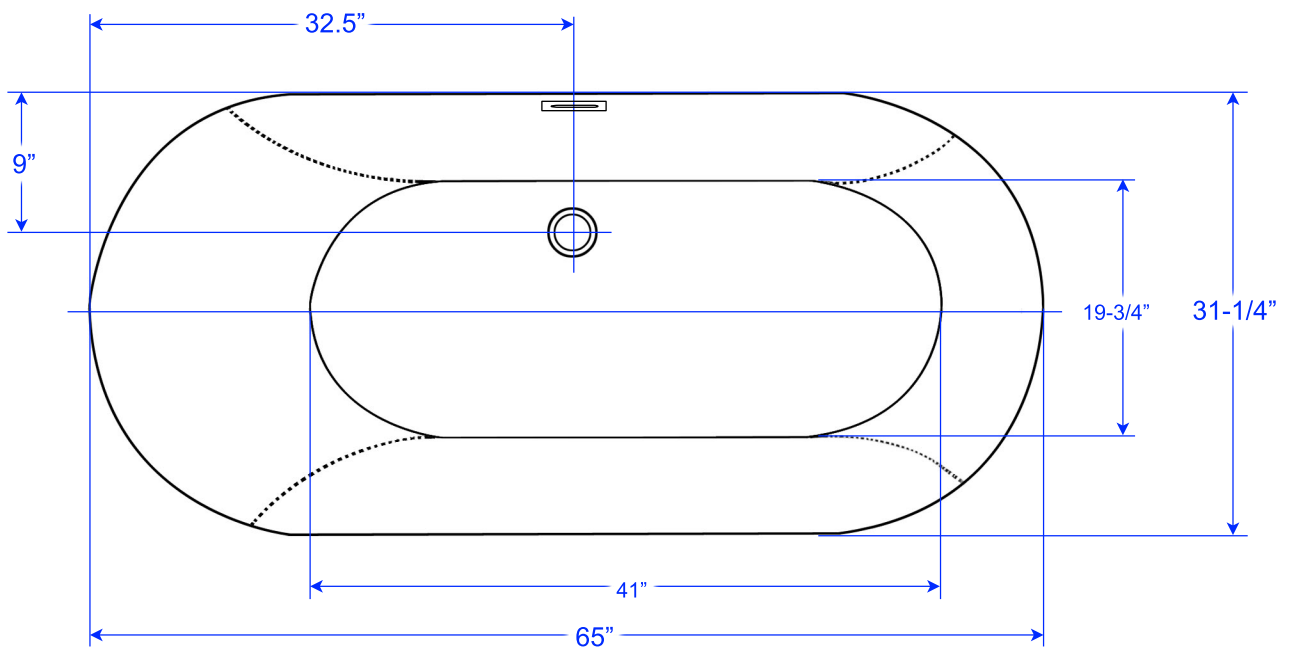
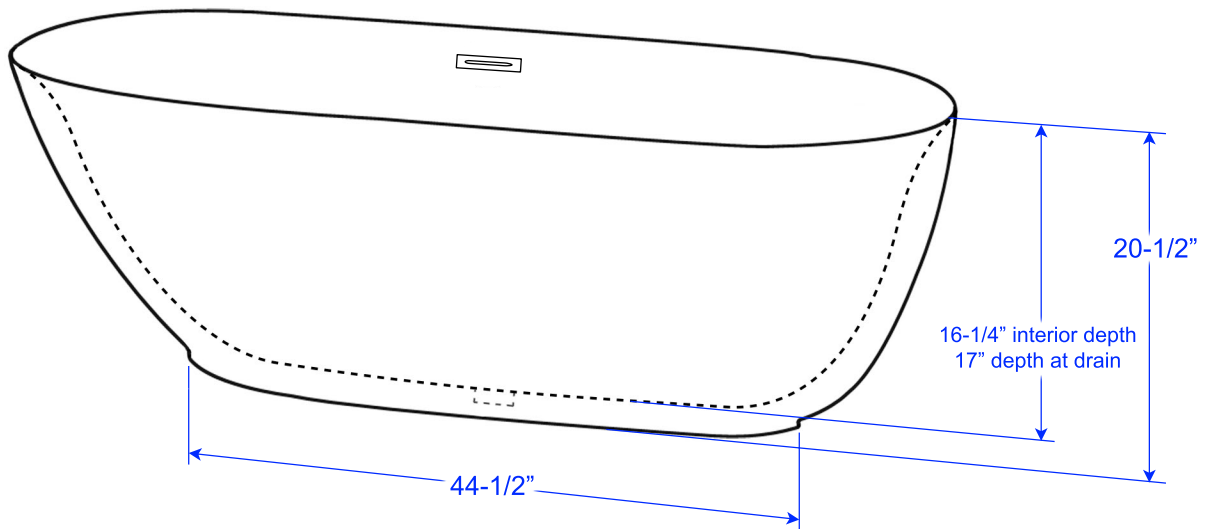


WYNDHAM COLLECTION

Exterior Size - 65"L x 31-1/4"W x 20-1/2"H
Interior Size - 60"L x 26"W x 16-1/4"H at top
Depth at Drain - 17"
Drain to Overflow - 11"
Maximum Fill - 48-1/2 Gallons
Note - All measurements are $\pm 1/2$ "



WC-BTM1000-65